



KOHLER.
Engines

HIGH PRESSURE CLEANERS

PS3395



IMPORTANT: Please make certain that the person who is to use this equipment carefully reads and understands these instructions before operating.

INSTRUCTION MANUAL



We Appreciate Your Business.

Thank you and congratulations for choosing Powershot , another quality product by Powerblast.

This Operating Manual has been designed to instruct you on the correct use and operation of your Powershot product. Your satisfaction with this product and its safe operation is our ultimate concern. Therefore please take the time to read the entire manual, especially the Safety Precautions. They will help you to avoid potential hazards that may exist when working with this product.

Powerblast is a market leading provider of innovative power equipment solutions to a wide range of industries across Australia.

Providing exceptional product support is a key component of Powerblast's market leading customer advantage focus. As part of this program, it is required for all products to be registered with Powerblast to qualify for product support. Products not registered with Powerblast are supported by a base 12 month warranty only. Spare parts and technical support will not be available for an unregistered product outside of this base warranty period. If a Powerblast dealer has not already registered your product, please register it online at www.powerblast.com.au. To request a physical registration form, please contact Powerblast customer service on 1800 812 223

WARNING!

READ AND UNDERSTAND ALL SAFETY PRECAUTIONS IN THIS MANUAL BEFORE OPERATING. FAILURE TO COMPLY WITH INSTRUCTIONS IN THIS MANUAL COULD RESULT IN PERSONAL INJURY, PROPERTY DAMAGE, AND/ OR VOIDING OF YOUR WARRANTY. GT POWER WILL NOT BE LIABLE FOR ANY DAMAGE BECAUSE OF FAILURE TO FOLLOW THESE INSTRUCTIONS.



Table Of Contents

Specifications.....	4
Symbol Usage	4
Quick Set-Up Guide	5
Quick Start Guide	5
Power Washer Controls & Features.....	7
Pressure Washer Terminology	8
Assembly Instructions	8
Operating the Power Washer	9
Maintenance	13
Storage	14
Accessories.....	14
Service Information.....	14
Troubleshooting	15
Important Safety Instructions.....	17
Warranty.....	23



Specifications

	PS3395HD
PSI Max*:	3300psi
L/Minute Max*:	9.5L/min
High Pressure Hose:	10m
Pressure of Inlet Water:	20-100psi
Inlet Water:	Cold tap
Soap Consumption Rate:	10% max

* Rated Pressure and Rated Water Flow is within manufacturing tolerance of (+/- 10%).

In a continued commitment to improve quality, the manufacturer reserves the right to make component changes, design changes, or specification changes when necessary and without notice.

Symbol Usage

This manual contains information that is important for you to know and understand. This information relates to protecting your safety and preventing equipment problems. To help you recognize this information, we use the symbols below. Please read the manual and pay attention to these symbols.



DANGER! *Indicates an imminently hazardous situation which, if not avoided, will result in death or serious injury.*



WARNING! *Indicates a potentially hazardous situation which, if not avoided, could result in death or serious injury.*



CAUTION! *Indicates a potentially hazardous situation which, if not avoided, may result in minor or moderate injury.*



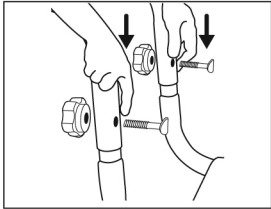
NOTE: *Indicates a practice not related to personal injury which, if not avoided, may result in property damage.*

Quick Set-Up Guide

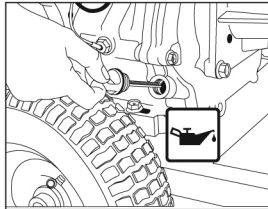


WARNING! To reduce the risk of injury, read the pressure washer instruction manual and the engine instruction manual before operating pressure washer.

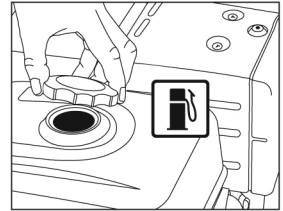
- A Install the Handle**
Slide the handle assembly onto the frame and secure with saddle bolts and knobs.



- B Add/Check Oil**
The engine is shipped without oil. Before starting engine, add the oil provided. Check oil level prior to each use. Refer to **Engine Owner's Manual** for complete procedure.



- C Add Gasoline**
In a well ventilated outdoor area add fresh, high quality, unleaded gasoline with a pump octane rating of 91 or higher. Do not overfill. Wipe up spilled fuel before starting the engine. Refer to **Engine Owner's Manual** for complete procedure.



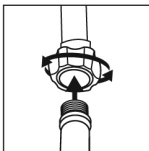
Quick Start Guide



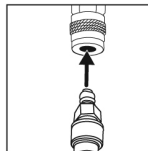
DANGER! Never run engine indoors or in enclosed, poorly ventilated areas. Engine exhaust contains carbon monoxide, an odorless and deadly gas.

Risk of fluid injection and laceration. When using the high-pressure setting, DO NOT allow the high-pressure spray to come in contact with unprotected skin, eyes or with any pets or animals. Serious injury will occur.

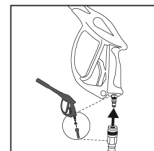
- 1 Connect Garden Hose to Pump**
Thread the garden hose to the pump inlet. See label #1 on unit.



- 2 Connect High Pressure Hose to Pump**
Connect the high pressure hose to the pump outlet. See label #2 on unit.



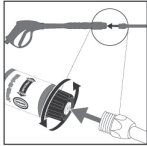
- 3 Connect High Pressure Hose to Spray Gun**
Connect the other end of the high pressure hose to the spray gun.



4

Connect Spray Wand to Spray Gun

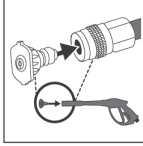
Thread the spray wand into the end of the spray gun.



5

Connect QC Nozzles to Spray Wand

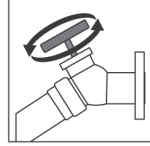
Pull quick connect coupler back and insert nozzle. Release quick connect coupler and twist nozzle to make sure it is secure in coupler.



6

Turn Water Faucet Completely On

Do not run the unit without water supply connected and turned on. Use Cold Water Only.



7

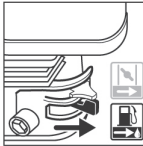
Release Air from System

Release all air from pump and high pressure hose by depressing trigger until a steady stream of water is present. Approximately 30 seconds.



8

Verify the Fuel Switch is in the ON Position



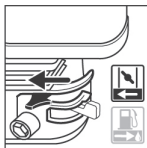
9

Verify the Engine Switch is turned to the ON Position



10

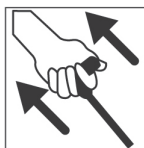
Move the Choke to the CLOSED Position



11

Pull the Recoil Starter Grip

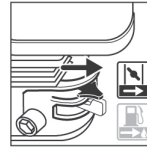
Pull the recoil starter grip to start the engine.



12

Move the Choke to the OPEN Position

Gradually move the Choke to the OPEN Position after engine starts.



WARNING! This Guide is not a substitute for reading the operator's manual. User must read and understand operator's manual before using this product.

Power Washer Controls and Features

NOTE: Photographs and line drawings used in this manual are for reference only and do not represent a specific model.

Compare the illustrations with your unit to familiarize yourself with the location of various controls and adjustments. Save this manual for future reference.

A. High Pressure Pump: Increases pressure of the water supply.

B. Engine: Drives the high pressure pump. (Refer to the Engine Owner's Manual for location and operation of engine controls.)

C. High Pressure Hose: Carries the pressurized water from the pump to the gun and spray wand.

D. Spray Gun: Connects with spray wand to control water flow rate, direction and pressure.

E. Quick-Connect Spray Wand: Allows the user to quickly change out high pressure nozzles. (Refer to How To Use Spray Wand instructions in Operation section.)

F. Detergent Siphon Hose (not shown): Feeds cleaning agents into the pump to mix with the water. (See How To Apply Chemicals/Cleaning Solvents instructions in Operation section.)

G. Handle

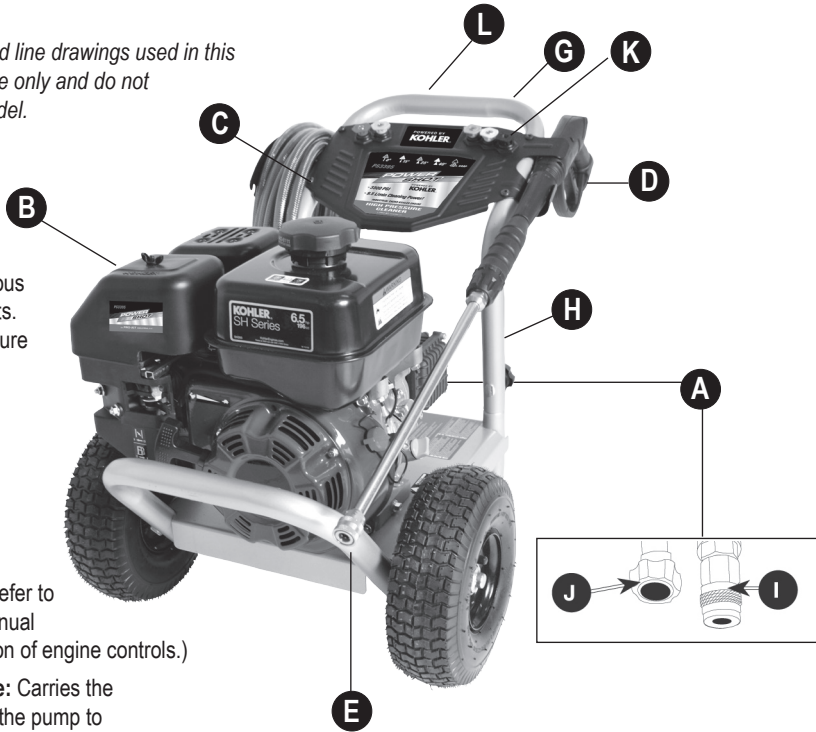
H. Frame

I. Pump Outlet

J. Pump Inlet

K. Quick Connect Nozzles

L. Nozzle Holder



Basic Elements of an Engine

Refer to the Engine Owner's Manual for location and operation of engine controls.

Choke Control: Opens and closes carburetor choke valve.

Starter Grip: Pulling starter grip operates recoil starter to crank engine.

Engine Switch: Enables and disables ignition system.

Pressure Washer Terminology

PSI (Pounds per Square Inch): The unit of measure for water pressure. Also used for air pressure, hydraulic pressure, etc.

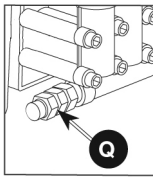
LPM (Litres Per Minute): The unit of measure for the flow rate of water.

CU (Cleaning Units): LPM multiplied by psi equals CU.

Bypass Mode: Allows water to re-circulate within the pump when the gun trigger is not pulled. This feature allows the operator to release the trigger gun and reposition themselves without having to turn the engine off in between cleaning actions.

NOTE: *Allowing the unit to run for more than two minutes without the gun trigger being pulled could cause overheating and damage to the pump. Do not let the pressure washer run for more than two minutes in Bypass Mode. Turn off the engine and relieve the pressure in the gun during these extended situations.*

Thermal Relief Valve (Q): When the temperature inside the pump rises too high, this valve will open and release a gush of water in an effort to lower the temperature inside the pump. The valve will then close.



Detergent Injection System: Mixes cleaners or cleaning solvents with the water to improve cleaning effectiveness.

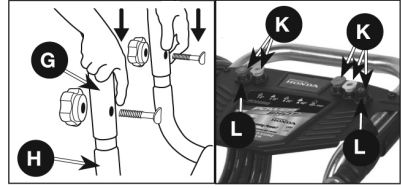
Water Supply: All pressure washers must have a source of water. The minimum requirements for a water supply are 20psi and 20 litres per minute.

If your water source is a well, the garden hose length can only be 30ft. (9m) max.



WARNING: *To reduce the possibility of contamination always protect against backflow when connected to a potable water system.*

Assembly instructions

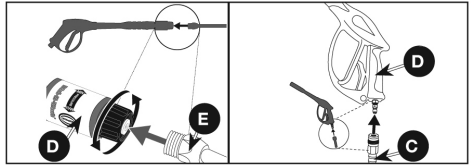


1. Locate and remove all loose parts from the carton.
2. Cut four corners of the carton from top to bottom and lay the panels flat.
3. Slide the handle assembly (G) onto the frame (H) and secure with saddle bolts and knobs.

NOTE: *Risk of personal injury. Avoid placing hands between handle and frame when assembling to prevent pinching.*

4. Remove colored quick connect nozzles (K) from plastic bag and insert them into nozzle holder (L).

NOTE: *Nozzles are color coded to match colored nozzles on panel.*



5. Connect wand (E) to gun (D). Tighten securely.
6. Attach high pressure hose (C) to gun (D). Tighten securely.

NOTE: *The engine is shipped without oil. Before starting engine, add the correct amount of oil recommended oil (SAE30). Damage to the engine will occur if the engine is run without oil, this damage will not be covered under warranty.*

NOTE: *The high-pressure pump was filled with oil at the factory. Always check oil level before using (refer to Maintenance for more information).*



Operating the Power Washer

Pressure Adjustments

The pressure setting is preset at the factory to achieve optimum pressure and cleaning. If you need to lower the pressure, it can be accomplished by these methods.






1. Back away from the surface to be cleaned. The further away you are, the less the pressure will be on the surface to be cleaned.
2. Use the Dial-N-Wash to increase and decrease the pressure. Refer to the Dial-N-Wash Adjustment paragraph.

NOTE: *DO NOT attempt to increase pump pressure. A higher pressure setting than the factory set pressure may damage pump.*

How to use the Spray Wand

The nozzles for the spray wand are stored in the nozzle holder on the panel assembly. Colors on the panel identify nozzle spray pattern.

Refer to the following chart to choose the correct nozzle for the job to be performed.

	USES:	SURFACES:
Red - 0° 	Powerful pinpoint for spot cleaning of hard, unpainted surfaces or for high reach areas.	Unpainted metal or concrete. DO NOT use on wood.
Yellow - 15° 	Intense cleaning of unpainted hard surfaces.	Grills, driveways, concrete or brick walkways, un-painted brick or stucco
Green - 25° 	Standard cleaning nozzle for most applications.	Yard tools, sidewalks, unpainted siding, lawn furniture, stucco, concrete, gutters and eaves, brick surfaces.
White - 25° 	Cleaning of painted or delicate surfaces.	Auto / RV, marine, wood, painted brick and stucco, vinyl, painted siding.
Black - Low Pressure 	Applies cleaning solutions.	Low pressure spray is safe on all surfaces. Always verify compatibility of cleaning solution prior to use.

NOTE: *The high pressure spray from your pressure washer is capable of causing damage to surfaces such as wood, glass, automobile paint, auto striping and trim, and delicate objects such as flowers and shrubs. Before spraying, check the item to be cleaned to assure yourself that it is strong enough to resist damage from the force of the spray.*

Changing Nozzles on Spray Wand

The nozzles for the spray wand are stored in the nozzle holder on the panel assembly. Colors on the panel identify nozzle spray pattern.

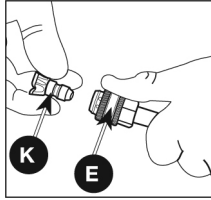


DANGER! Risk of fluid injection. Do not direct discharge stream toward persons, unprotected skin, eyes or any pets or animals. Serious injury will occur.



WARNING! Flying objects could cause risk of serious injury. Do not attempt to change nozzles while pressure washer is running. Turn engine off before changing nozzles.

1. Pull quick-connect coupler (E) back and insert nozzle (K).
2. Release quick-connect coupler and twist nozzle to make sure it is secure in coupler.



WARNING! Flying object could cause risk of serious injury. Ensure nozzle is completely inserted in quick connect socket and quick-connect collar is fully engaged (forward) before squeezing gun trigger.

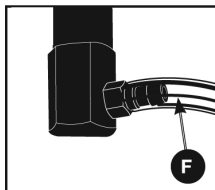
Applying Chemicals & Solvents

Applying chemicals or cleaning solvents is a low pressure operation.

NOTE: Use only soaps and chemicals designed for pressure washer use. Do not use bleach.

1. Ensure detergent siphon hose (F) is attached to barbed fitting location near high pressure hose connection of pump as shown.

2. Place other end of siphon hose (with filter on) into container holding chemical / cleaning solution.



NOTE: For every 7 litres of water pumped 1 litre of chemical/cleaning solution will be used.

3. Install the black low pressure nozzle into the quick connect fitting of the spray wand and rotate the Dial-N-Wash (M) to the MAX pressure setting as shown in 'How To Use Spray Wand' on the previous page.

NOTE: To apply chemicals the black low pressure nozzle must be installed and the Dial-N-Wash must be in the MAX pressure setting as shown in 'How To Use Spray Wand' on the previous page.

4. After use of chemicals, place detergent siphon hose into container of clean water and draw clean water through chemical injection system to rinse system thoroughly. If chemicals remain in the pump, it could be damaged. Pumps damaged due to chemical residue will not be covered under warranty.

NOTE: Chemicals and soaps will not siphon if the black soap nozzle is not installed on the spray wand.

Starting the Pressure Washer



WARNING! To reduce the risk of injury, read the pressure washer instruction manual and the engine instruction manual before starting pressure washer.



DANGER! Risk of fluid injection and laceration. When using the high pressure setting, DO NOT allow the high pressure spray to come in contact with unprotected skin, eyes, or with any pets or animals. Serious injury will occur.

Your washer operates at fluid pressures and velocities high enough to penetrate human and animal flesh, which could result in amputation or other serious injury.

Leaks caused by loose fittings or worn or damaged hoses can result in injection injuries. DO NOT



TREAT FLUID INJECTION AS A SIMPLE CUT! See a physician immediately!



DANGER! Carbon Monoxide. Using an engine indoors can kill you in minutes. Engine exhaust contains high levels of carbon monoxide (CO), a poisonous gas you cannot see or smell. You may be breathing CO even if you do not smell engine exhaust.

- Breathing exhaust fumes will cause serious injury or death! Engine exhaust contains carbon monoxide, an odorless and deadly gas.
- Operate pressure washer in a well-ventilated area. Avoid enclosed areas such as garages, basements, etc.
- Never operate unit in or near a location occupied by humans or animals.



WARNING! Risk of Fire, Asphyxiation and Burn. Never fill fuel tank when engine is running or hot. Do not smoke when filling fuel tank.

- Never fill fuel tank completely. Fill tank to 1/2" (12.7 mm) below bottom of fillerneck to provide space for fuel expansion. Wipe any fuel spillage from engine and equipment before starting engine.
- DO NOT let hoses come in contact with very hot engine muffler during or immediately after use of your pressure washer. Damage to hoses from contact with hot engine surfaces will NOT be covered by warranty.

NOTICE: Risk of property damage. Never pull water supply hose to move pressure washer. This could damage hose and/or pump inlet.

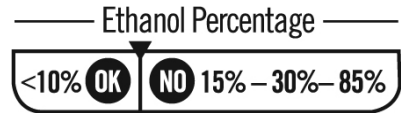
- DO NOT use hot water, use cold water only.
- Never turn water supply off while pressure washer engine is running or damage to pump will result.
- DO NOT stop spraying water for more than two minutes at a time. Pump operates in bypass mode

when spray gun trigger is not pressed. If pump is left in bypass mode for more than two minutes internal components of the pump can be damaged.

If you do not understand these precautions, please contact our customer service department at www.powershot.co.nz

Prior to starting, refer to your engine manual for proper starting procedure.

1. In a well ventilated outdoor area add fresh, high quality, unleaded gasoline with a pump octane rating of 86 or higher. Do not overfill. Wipe up spilled fuel before starting the engine. Refer to Engine Owner's Manual for correct procedure.

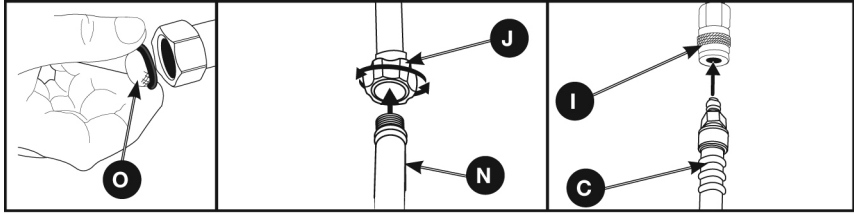


NOTE: Do not use fuels with a percentage of ethanol that is greater than 10%.

2. Check engine oil level. Refer to Engine Owner's Manual for correct procedure.
3. Check pump oil level. The oil level should come to the dot in the middle of the sight glass. Refer to the Pump paragraph under Maintenance.
4. Connect the water hose to the water source. Turn the water source on to remove all air from the hose. When a steady stream of water is present, turn the water source off.
5. Verify the filter screen (O) is in water inlet of pump. (See diagram on following page)

NOTE: Convex side faces out.

6. Connect water source (N) to pump inlet (J).



NOTE: Water source provided must be a minimum of 20 litres per minute at 20psi

7. Connect high pressure hose (C) to pump outlet (I).

WARNING! To reduce the possibility of contamination always protect against backflow when connected to a potable water system.

8. Choose the correct nozzle for the job to be performed. See 'How To Use spray Wand' instructions on page 14.

NOTE: If applying a chemical or cleaning solution, see 'Applying Chemicals & Solvents' on page 15.

9. Turn water source on.

NOTE: Risk of property damage. Failure to do so could cause damage to the pump.

10. Remove all air from the pump and high pressure hose by depressing trigger until a steady stream of water is present.

11. Start engine. See Engine Owner's Manual for correct procedure.

WARNING! Risk of unsafe operation. If engine does not start after two pulls, squeeze trigger of gun to relieve pump pressure. Pull starter cord slowly until resistance is felt. Then pull cord rapidly to avoid kickback and prevent hand or arm injury.

Note: If the oil level in the engine is low, the engine will not start. If the engine does not start, check the oil level and add oil as needed.

12. Depress trigger on gun to start water flow.

WARNING! Risk of unsafe operation. Stand on a stable surface and grip gun/spray wand firmly with both hands. Expect the gun to kick when triggered.

13. Release trigger to stop water flow.



WARNING! Risk of injury from spray. Always engage the trigger lock (P) when gun is not in use. Failure to do so could cause accidental spraying

Shutting Down

1. After each use, if you have applied chemicals, place detergent siphon hose into container of clean water and draw clean water through chemical injection system to rinse system thoroughly.

NOTE: Risk of property damage. Failure to do so could cause damage to the pump.

2. Turn engine off. See Engine Owner's Manual.

NOTE: Risk of property damage. NEVER turn the water off with the engine running.

3. Turn water source off.
4. Pull trigger on spray gun to relieve any water pressure in hose or spray gun.

NOTE: Failure to release system pressure will prevent removal of high pressure hose from spray gun or pump connection.

5. See Storage section in this manual for proper storage procedures.

Maintenance



WARNING! Risk of burn hazard. When performing maintenance, you may be exposed to hot surfaces, water pressure or moving parts that can cause serious injury or death.



WARNING! Risk of fire hazard. Always disconnect, spark plug wire, let the engine cool and release all water pressure before performing any maintenance or repair. The engine contains flammable fuel. Do not smoke or work near open flames while performing maintenance.

To ensure efficient operation and longer life of your pressure washer, a routine maintenance schedule should be prepared and followed. If the pressure washer is used in unusual conditions, such as high-temperatures or dusty conditions, more frequent maintenance checks will be required.

Engine

Consult the Engine Owner's Manual for the manufacturer's recommendations for any and all maintenance.

NOTE: The engine drain plug is located at the rear of the unit.

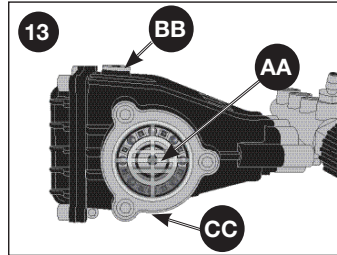
The Pump

NOTE: The Pump was filled with oil at the factory.

SAE 10W-30 or SAE 15W-40 oil may be used. Change the pump oil after the first 50 hours of operation and every 100 hours thereafter, or every 3 months.

To Check Oil

The oil level should come to the dot in the middle of the sight glass (AA).



How To Change Pump Oil

1. Loosen pump oil fill plug (BB).
2. Place a container under pump oil drain plug (CC).
3. Remove pump oil drain plug.
4. After oil is drained, replace pump oil drain plug. Tighten securely.
5. Refill pump using SAE 10W-30 or SAE 15W-40 oil.
6. Replace pump oil fill plug and tighten securely.
If there is a problem with the pump contact us at www.eurquip.co.nz

Connections

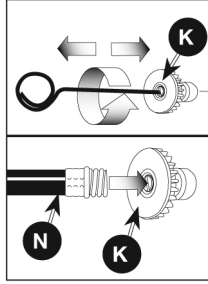
Connections on pressure washer hoses, gun and spray wand should be cleaned regularly and lubricated with light oil or lithium grease to prevent leakage and damage to the o-rings.

Nozzle Cleaning

If the nozzle becomes clogged with foreign materials, such as dirt, excessive pressure may develop. If the nozzle becomes partially clogged or restricted, the pump pressure will pulsate. Clean the nozzle immediately using the nozzle kit supplied and the following instructions:

1. Shut off the pressure washer and turn off the water supply.

- Pull trigger on gun handle to relieve any water pressure.
- Disconnect the spray wand from the gun.

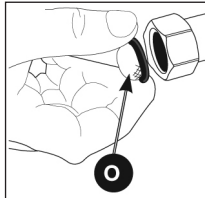


- Remove high pressure nozzle (K) from spray wand. Remove any obstructions with nozzle cleaning tool provided and backflush with clean water.
- Direct water supply (N) into nozzle to backflush loosened particles for 30 seconds.
- Reassemble the nozzle to the wand.
- Reconnect spray wand to gun and turn on water supply.
- Start pressure washer and place spray wand into high pressure setting to test.

Clean the Water Inlet Filter

This screen filter (O) should be checked periodically and cleaned if necessary.

- Remove filter by grasping end and removing it from water inlet of pump.
- Clean filter by flushing it with water on both sides.
- Re-insert filter into water inlet of pump. (Convex side faces out.)



NOTE: Do not operate the pressure washer without filter properly installed.

Storage

Engine

Consult the Engine Owner's Manual for manufacturer's recommendations for storage.

Pump

The manufacturer recommends using regular anti-freeze when storing the unit for more than 30 days

and/or when freezing temperatures are expected. Simply fill a bucket up half way with anti-freeze/ water mix and use a short length of hose to suck the mixture into the pump while running. Turn machine off immediately as soon as bucket is empty.

NOTE: Using anti-freeze helps provide proper lubrication to the internal seals of the pump regardless of temperature or environment.

Pressure Washer

- Drain all water from high pressure hose and wrap it onto hose wrap.
- Drain all water from the spray gun and wand by holding spray gun in a vertical position with nozzle end pointing down and squeezing trigger. Store in gun holder.
- Wrap up and secure detergent siphon hose so it is protected from damage.

Accessories



DANGER! Risk of fluid injection. When using replacement spray wands or guns with this pressure washer, DO NOT use a spray wand and/or spray gun/ wand combination that is shorter in length than what was provided with this pressure washer as measured from the nozzle end of the wand to the gun trigger.

See page 23 for a the Powershot range of accessories.

NOTE: The use of any other accessory not recommended for use with this tool could be hazardous. Use only accessories rated equal to or greater than the rating of the pressure washer.

Service Information

Please contact our customer service department at www.powerblast.com.au or Call 1800 812 223



Troubleshooting

PROBLEM	POSSIBLE CAUSE	SOLUTION
Engine will not start (see Engine Owner's Manual for further engine troubleshooting)	No fuel	Add fresh fuel
	Pressure builds up after two pulls on the recoil starter or after initial use	Squeeze gun trigger to relieve pressure
	Choke lever in the "No Choke" position	Move choke to the "Choke" position
	Spark plug wire not attached	Attach spark plug wire
	Engine switch in OFF position.	Place engine switch in ON position.
	Choke lever in the "Choke" position on a "hot" engine or an engine that has been exposed to thermal heat for a long period of time.	Move choke to the "No Choke" position.
No or low pressure (initial use)	Spray wand not in high pressure	See How to Use Spray Wand instructions in the Operation Section
	Low water supply	Water supply must be at least 5 L/min @ 20psi
	Leak at high pressure hose fitting	Repair leak. Apply sealant tape if necessary
	Nozzle obstructed	See Nozzle Cleaning instructions in the Maintenance section
	Water filter screen clogged	Remove and clean filter. See Cleaning Water Inlet Filter paragraph in the Maintenance section for the correct procedure
	Air in hose	Turn off the engine, then the water source. Disconnect the water source from the pump inlet and turn the water source on to remove all air from the hose. When there is a steady stream of water present, turn water source off. Re-connect water source to pump inlet and turn on water source. Squeeze trigger to remove remaining air
	Choke in the "Choke" position	Move choke to the "No Choke" position
	High pressure hose is too long	Use high pressure hose under 100 feet (30 m)

PROBLEM	POSSIBLE CAUSE	SOLUTION
Will not draw chemicals	Spray wand not in low pressure	See How to Use Spray Wand paragraph in the Operation Section
	Chemical filter clogged	Clean filter
	Chemical screen not in cleaning solution	Make sure end of detergent siphon hose is fully submerged into cleaning solution
	Chemical too thick	Dilute chemical. Chemical should be the same consistency as water
	Pressure hose is too long	Lengthen water supply hose instead of high pressure hose
	Chemical build up in chemical injector	Please contact our customer service department at www.euroquip.co.nz
No or low pressure (after period of normal use)	Worn seal or packing	Please contact our customer service department at www.euroquip.co.nz
	Worn or obstructed valves	
	Worn unloader piston	
Water leaking at gun/spray wand connection	Worn or torn o-ring	Check and replace
	Loose hose connection	Tighten
Water leaking at pump	Loose connections	Tighten
	Piston packings worn	Please contact our customer service department at www.euroquip.co.nz
	Worn or torn o-ring	
	Pump head or tubes damaged from freezing	
Pump pulsates	Nozzle obstructed	See Nozzle Cleaning paragraph in the Maintenance section for the correct procedure
Oil leaking at pump	Oil seals worn.	Please contact our customer service department at www.euroquip.co.nz
	Loose drain plug	Tighten
	Worn drain or fill plug o-ring	Check and replace
	Pump overfilled	Check for correct amount
	Incorrect oil used	Drain and fill with correct amount and type of oil
	Vent plug is clogged	Clean vent plug; blow air through it to remove any blockage. If problem persists, replace plug
	Air filter filled with oil	Clean and/or replace filter element. Refer to Engine Owner's Manual for correct procedure

Important Safety Instructions



DANGER! : Carbon Monoxide. Using an engine indoors can kill you in minutes. Engine exhaust contains high levels of carbon monoxide (CO), a poisonous gas you cannot see or smell. You may be breathing CO even if you do not smell engine exhaust.

- NEVER use an engine inside homes, garages, crawlspaces or other partly enclosed areas. Deadly levels of carbon monoxide can build up in these areas. Using a fan or opening windows and doors does NOT supply enough fresh air.
- ONLY use outdoors and far away from open windows, doors and vents. These openings can pull in engine exhaust.
- Even when the engine is used correctly, CO may leak into your home. ALWAYS use a battery-powered or battery backup CO alarm in your house. Read and follow all directions for CO alarm before using. If you feel sick, dizzy or weak at anytime, move to fresh air immediately. See a doctor. You could have carbon monoxide poisoning.



WARNING! Do not operate this unit until you read this instruction manual and the engine instruction manual for safety, operation and maintenance instructions. If you have any questions regarding the product, please contact our customer service department at www.powershot.co.nz.



DANGER! Risk of injection or severe injury. Keep clear of nozzle. Do not direct discharge stream at persons or live animals. This product is to be used only by trained operators.



WARNING! This product and its exhaust contain chemicals known to cause cancer, birth defects or other reproductive harm. In addition, some cleaning products and dust contain chemicals known to cause cancer, birth defects or other reproductive harm.

Wash hands after handling.



WARNING! This product may not be equipped with a spark-arresting muffler. If the product is not equipped and will be used around flammable materials or on land covered with materials such as agricultural crops, forest, brush, grass or other similar items

⚠ DANGER! Risk of Explosion or Fire

WHAT CAN HAPPEN	HOW TO PREVENT IT
Spilled gasoline and it's vapors can become ignited from cigarette sparks, electrical arcing, exhaust gases and hot engine components such as the muffler.	Shut off engine and allow it to cool before adding fuel to the tank. Use care in filling tank to avoid spilling fuel. Move pressure washer away from fueling area before starting engine.
Heat will expand fuel in the tank which could result in spillage and possible fire explosion.	Keep maximum fuel level 1/2" (12.7 mm) below bottom of filler neck to allow for expansion.
Operating the pressure washer in an explosive environment could result in a fire.	Operate and fuel equipment in wellventilated areas free from obstructions. Equip areas with fire extinguisher suitable for gasoline fires.
Materials placed against or near pressure washer can interfere with ventilation features causing overheating and possible ignition of the materials.	Never operate pressure washer in an area containing dry brush or weeds.
Muffler exhaust heat can damage painted surfaces, melt any material sensitive to heat (such as siding, plastic, rubber, vinyl or the pressure hose, itself), and damage live plants.	Always keep pressure washer a minimum of 4' (1.2 m) away from surfaces (such as houses, automobiles or live plants) that could be damaged rom muffler exhaust heat.
Improperly stored fuel could lead to accidental ignition. Fuel improperly secured could get into the hands of children or other unqualified persons.	Store fuel in an OSH approved container, in a secure location away from work area.
Use of acids, toxic or corrosive chemicals, poisons, insecticides, or any kind of flammable solvent with this product could result in serious injury or death.	Do not spray flammable liquids.

⚠ DANGER! Risk of Hot Surfaces

WHAT CAN HAPPEN	HOW TO PREVENT IT
Contact with hot surfaces, such as engine exhaust components, could result in serious burns.	During operation, touch only the control surfaces of the pressure washer. Keep children away from the pressure washer at all times. They may not be able to recognize the hazards of this product.

⚠ DANGER! Risk to Breathing (Asphyxiation)

WHAT CAN HAPPEN	HOW TO PREVENT IT
<p>Breathing exhaust fumes will cause serious injury or death! Engine exhaust contains carbon monoxide, an odorless and deadly gas.</p>	<p>Operate pressure washer in a well ventilated area. Avoid enclosed areas such as garages, basements, etc. Never operate unit in or near a location occupied by humans or animals</p>
<p>Some cleaning fluids contain substances which could cause injury to skin, eyes or lungs.</p>	<p>Use only cleaning fluids specifically recommended for high pressure washers. Follow manufacturers recommendations. Do not use chlorine bleach or any other corrosive compound.</p>

⚠ DANGER! Risk of Fluid Injection or Laceration

WHAT CAN HAPPEN	HOW TO PREVENT IT
<p>Your pressure washer operates at fluid pressures and velocities high enough to penetrate human and animal flesh which could result in amputation or other serious injury. Leaks caused by loose fittings or worn or damaged hoses can result in injection injuries.</p> <p>DO NOT TREAT FLUID INJECTION AS A SIMPLE CUT! See a physician immediately!</p>	<p>Inspect the high pressure hose regularly. Replace the hose immediately if it is damaged, worn, has melted from contacting the engine, or shows any signs of cracks, bubbles, pinholes, or other leakage. Never grasp a high pressure hose that is leaking or damaged.</p> <p>Never touch, grasp or attempt to cover a pinhole or similar water leak on the high pressure hose. The stream of water IS under high pressure and WILL penetrate skin.</p> <p>Never place hands in front of nozzle.</p> <p>Direct spray away from self and others.</p> <p>Make sure hose and fittings are tightened and in good condition. Never hold onto the hose or fittings during operation.</p> <p>Do not allow hose to contact muffler. Never attach or remove wand or hose fittings while system is pressurized.</p> <p>When using replacement lances or guns with this pressure washer, donot use a lance and/or lance/gun combination that is shorter in length than what was provided with this pressure washer as measured from the nozzle end of the lance to the gun trigger.</p>



<p>Injuries can result if system pressure is not reduced before attempting maintenance or disassembly.</p>	<p>To relieve system pressure, shut off engine, turn off water supply and pull gun trigger until water stops flowing.</p> <p>Use only accessories rated equal to or higher than the rating of the pressure washer.</p>
--	--

 DANGER! Risk of Injury from Spray

WHAT CAN HAPPEN	HOW TO PREVENT IT
<p>High-velocity fluid spray can cause objects to break, projecting particles at high speed.</p>	<p>Wear protective clothing and glasses to protect against accidental spraying.</p> <p>Never point wand at or spray people or animals.</p>
<p>Light or unsecured objects can become hazardous projectiles.</p>	<p>Always secure trigger lock when wand is not in service to prevent accidental operation.</p> <p>Never permanently secure trigger in pullback (open) position.</p>

 DANGER! Risk of Unsafe Operation

WHAT CAN HAPPEN	HOW TO PREVENT IT
<p>Unsafe operation of your pressure washer could lead to serious injury or death to you or others.</p>	<p>Do not use chlorine bleach or any other corrosive compound.</p> <p>Become familiar with the operation and controls of the pressure washer.</p> <p>Keep operating area clear of all persons, pets and obstacles.</p> <p>Do not operate the product when fatigued or under the influence of alcohol or drugs.</p> <p>Stay alert at all times.</p> <p>Never compromise the safety features of this product.</p> <p>Do not operate machine with missing, broken or unauthorized parts.</p> <p>Never leave wand unattended while unit is running.</p>



<p>If proper starting procedure is not followed, engine can kickback causing serious hand and arm injury.</p>	<p>If engine does not start after two pulls, squeeze trigger of gun to relieve pump pressure. Pull starter cord slowly until resistance is felt. Then pull cord rapidly to avoid kickback and prevent hand or arm injury.</p>
<p>The spray gun/wand is a powerful cleaning tool that could look like a toy to a child.</p>	<p>Keep children away from the pressure washer at all times.</p>
<p>Reactive force of spray will cause gun/ wand to kickback, and could cause the operator to slip or fall or misdirect the spray. Improper control of gun/wand can result in injuries to self and others.</p>	<p>Do not overreach or stand on an unstable support. Do not use pressure washer while standing on a ladder. Grip gun/wand firmly with both hands. Expect the gun to kickback when triggered.</p>

 DANGER! Risk of Injury or Property Damage when Transporting or Storing

WHAT CAN HAPPEN	HOW TO PREVENT IT
<p>Fuel or oil can leak or spill and could result in fire or breathing hazard. Serious injury or death can result.</p>	<p>If pressure washer is equipped with a fuel shut-off valve, turn the valve to the off position before transporting to avoid fuel leaks. If pressure washer is not equipped with a fuel shut-off valve, drain the fuel from tank before transporting.</p>
<p>Fuel or oil leaks will damage carpet, paint or other surfaces in vehicles or trailers.</p>	<p>Only transport fuel in an OSHA-approved container. Always place pressure washer on a protective mat when transporting to protect against damage to vehicle from leaks. Always transport and store unit in an upright position. Remove pressure washer from vehicle immediately upon arrival at your destination.</p>

 DANGER! Risk of Electric Shock

WHAT CAN HAPPEN	HOW TO PREVENT IT
<p>Spray directed at electrical outlets or switches, or objects connected to an electrical circuit, could result in a fatal electrical shock.</p>	<p>Unplug any electrically operated product before attempting to clean it. Direct spray away from electric outlets and switches.</p>



⚠ DANGER! Risk of Chemical Burn

WHAT CAN HAPPEN	HOW TO PREVENT IT
Use of acids, toxic or corrosive chemicals, poisons, insecticides, or any kind of flammable solvent with this product could result in serious injury or death.	Do not spray acids, gasoline, kerosene, or any other flammable materials with this product. Use only household detergents, cleaners and degreasers recommended for use with pressure washers.
Fuel or oil leaks will damage carpet, paint or other surfaces in vehicles or trailers.	Wear protective clothing to protect eyes and skin from contact with sprayed materials.

⚠ DANGER! Risk of Tyres Bursting

WHAT CAN HAPPEN	HOW TO PREVENT IT
Over inflation of tyres could result in serious injury and property damage.	Use a tyre pressure gauge to check the pressure before each use. When inflating tyres; see the tyre sidewall for the correct pressure. NOTE: Air tanks, compressors and similar equipment used to inflate tyres can fill small tyres rapidly. Adjust pressure regulator on air supply to no more than the rating of the tyre pressure. Add air in small increments and frequently use the tyre gauge to prevent over inflation.
High-velocity fluid spray directed at pneumatic tyre sidewalls (such as found on cars, trailers and the like) could damage the sidewall resulting in serious injury.	On pressure washers rated above 1600psi (11032 kPa) use the widest fan spray (40° nozzle) and keep the spray a minimum of 8" (20 cm) from the pneumatic tyre sidewall. Do not aim spray directly at the joint between the tyre and rim.

⚠ DANGER! Risk of Injury from Lifting

WHAT CAN HAPPEN	HOW TO PREVENT IT
Serious injury can result from attempting to lift too heavy an object.	The pressure washer is too heavy to be lifted by one person. Obtain assistance from others before lifting.

SAVE THESE INSTRUCTIONS FOR FUTURE USE



Warranty

As part of an on-going commitment to excellence in product support, Powerblast offers a comprehensive product warranty program.

In order to qualify for full warranty support, your product must be registered.

Product not registered with Powerblast is supported by a base 12 month warranty only. Spare parts and technical support will not be available for an unregistered product outside of this base warranty period.

If a Powerblast dealer has not already registered your product, please register it online at www.powerblast.com.au Under 'Contact Us' link. To request a physical registration form, please contact Powerblast customer service on 1800 812 223.

Registered warranty period for the PS3395:

Kohler 3000 series engine covered by 24 month Kohler warranty

Warranty covers failure caused by manufacturing and material defects in the product, during the warranty period specified. The warranty period begins when the product is purchased by the end user. Warranty is not transferrable and is only claimable by the original purchaser.

Warranty covers failure of a product caused by defective materials and/or manufacturing for the period given and the usage specified by Powerblast. The warranty period begins when the product is purchased by the end user. Warranty is not transferrable and is only claimable by the original purchaser.

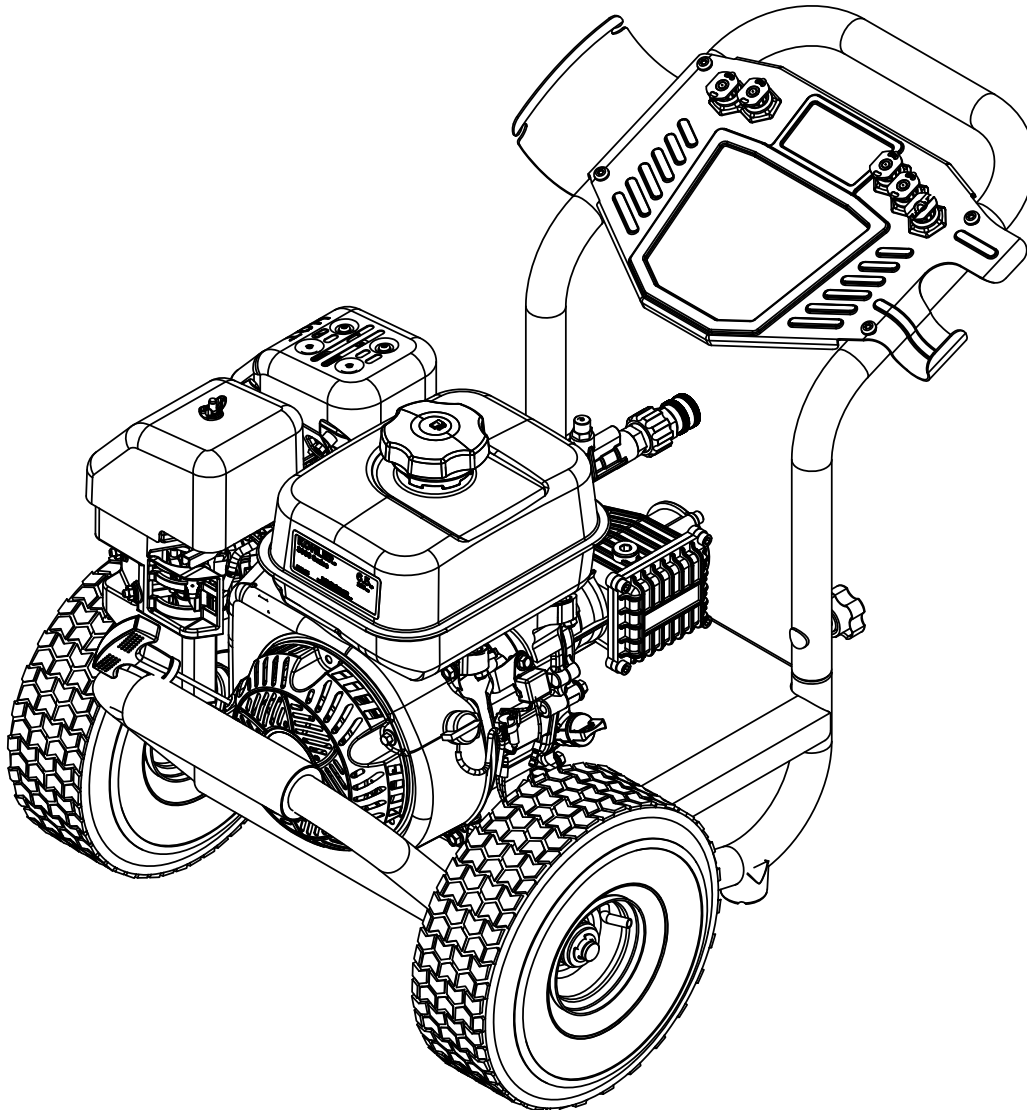
Warranty also does not cover failure caused by the untimely replacement or service of the above wearing parts. Evidence must be provided that the product has been maintained and serviced suitably for a claim to be considered under warranty.

Warranty does not cover pre delivery service and adjustment, or failure that may occur as a result of lack of/ incorrect pre delivery service and adjustment.

Warranty does not cover any incidental, indirect or consequential loss, damage or expense that may result from any defect, failure or malfunction of a product.

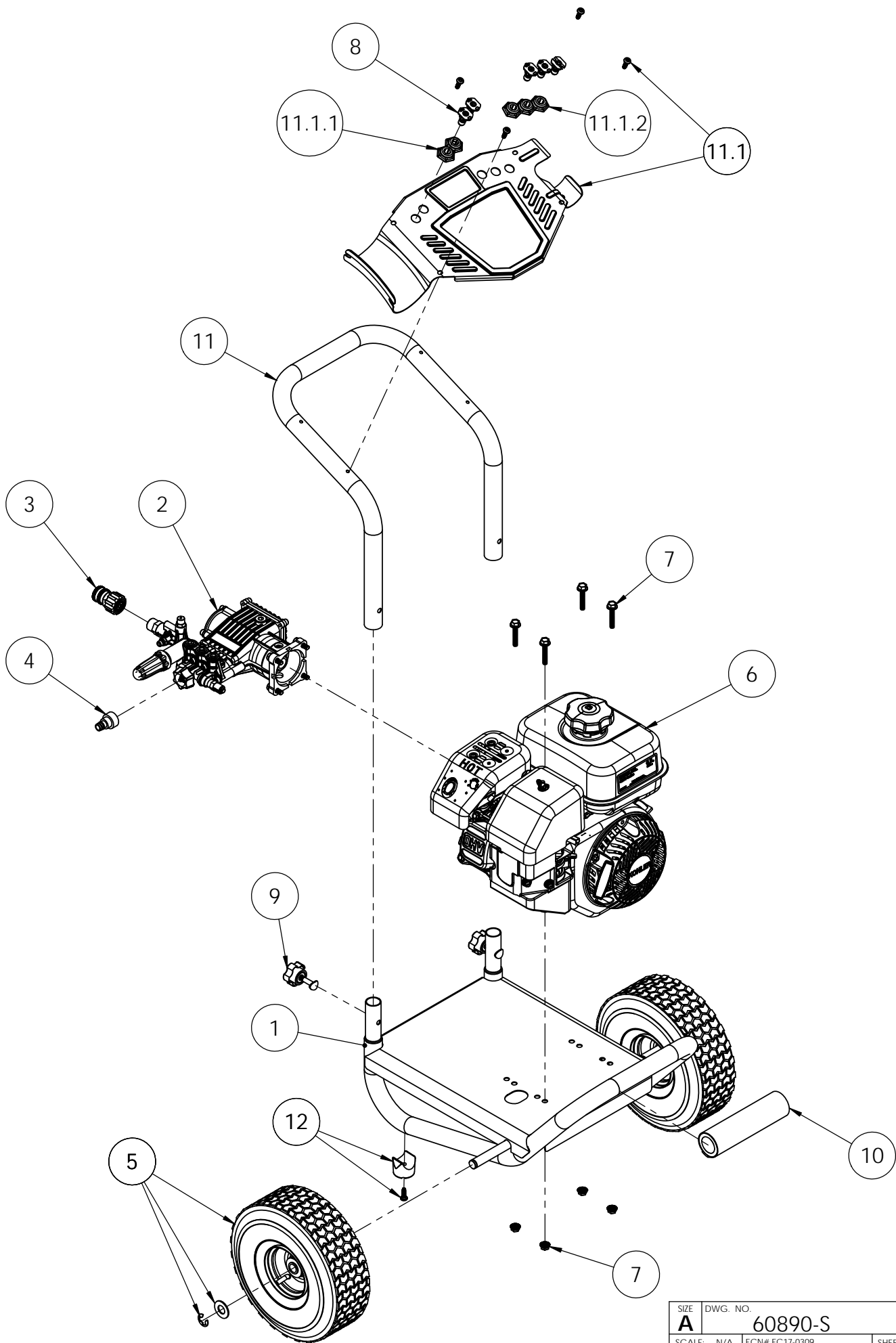
Should any issue be found to be a combination of a warranty failure and a non-warranty issue, the repair cost component to rectify and repair the non-warranty failure is the customers' full responsibility.

ITEM	PART NO	QTY.	DESCRIPTION
1	7109230	1	FRAME, BASE ASSY, 11.75 SILVER W/LABELS
2	7109932	1	PUMP SERVICE ASSY KIT
3	7200068	1	COUPLER 3/8(F)X M22(F)14MM TWIST
4	7103266	1	PLUG, SNAP-ON X GHT(M)
5	7105013	1	WHEEL, SERVICE KIT
6	7110437	1	ENGINE SVC ASSY, SH265 KOHLER, RED
7	7103750	1	MOUNTING KIT, ENGINE
8	7109301	1	NOZZLE,#2.6 5PCSET 0, 15, 25, 40 & PSOAP
9	7107941	2	KNOB-BOLT ASSEMBLY
10	7110107	1	HANDLE GRIP, BLACK BLANK
11	7110439	1	HANDLE SVC ASSY, 60890
11.1	7110438	1	DASHBOARD SERVICE ASSY, 60890
11.1.1	7107067	1	HOLDER, NOZZLE 2PC RUBBER STRIP
11.1.2	7107068	1	HOLDER, NOZZLE 3PC RUBBER STRIP
12	7109385	2	FOOT SERVICE KIT



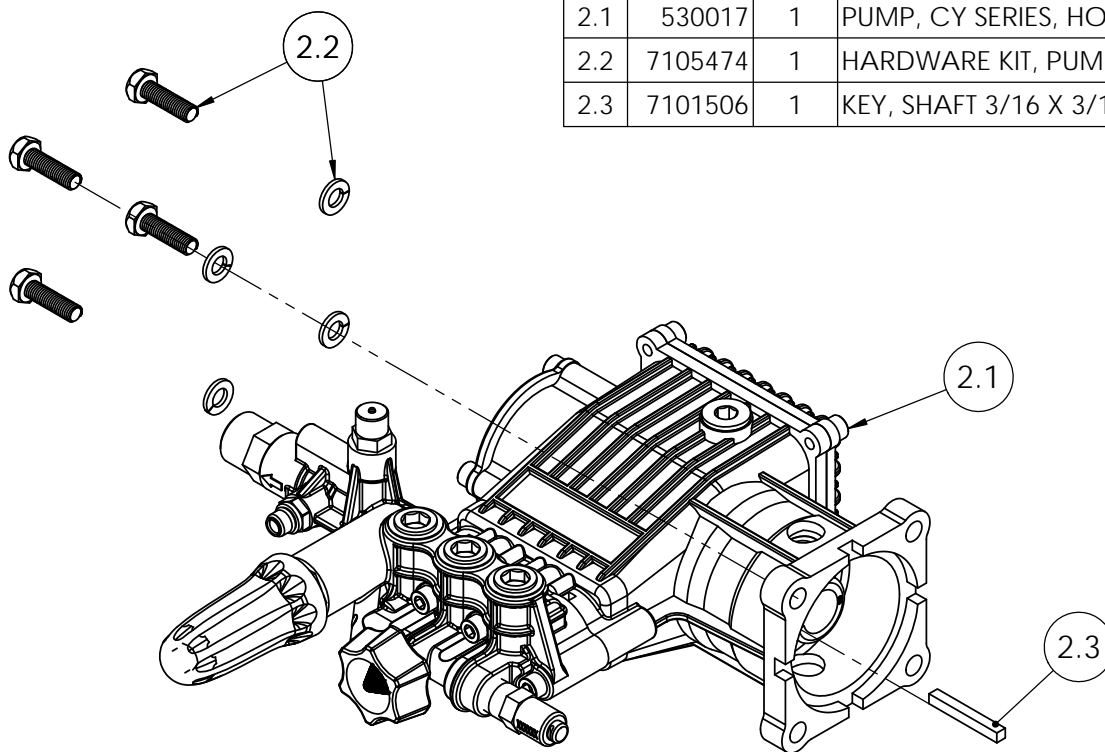
SIZE A	DWG. NO. 60890-S	REV. A
SCALE: N/A	ECN# EC17-0309	SHEET 1 OF 3

Version: -



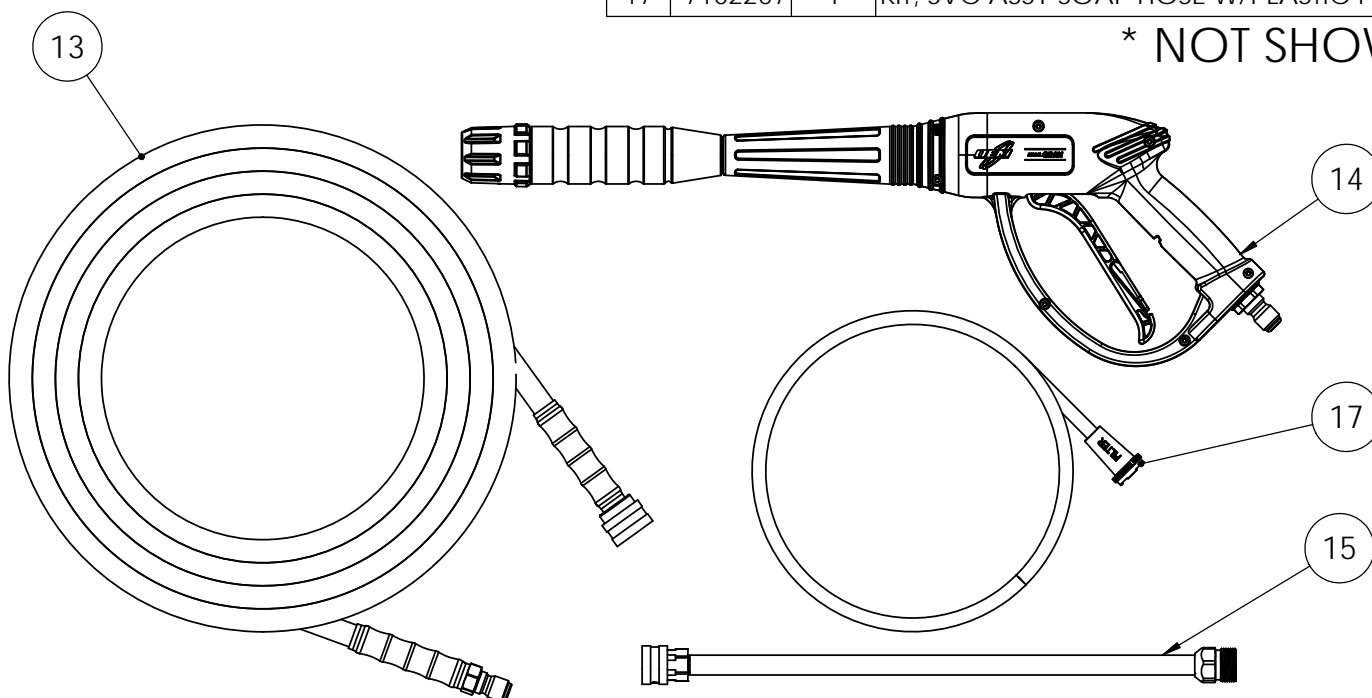
SIZE	DWG. NO.	REV.
A	60890-S	A
SCALE: N/A	ECN# EC17-0309	SHEET 2 OF 3

ITEM	PART NO	QTY.	DESCRIPTION
2	7109932	1	PUMP SERVICE ASSY KIT
2.1	530017	1	PUMP, CY SERIES, HORIZ TRIPLEX, 12x8.2
2.2	7105474	1	HARDWARE KIT, PUMP MOUNTING
2.3	7101506	1	KEY, SHAFT 3/16 X 3/16 X 1-1/2



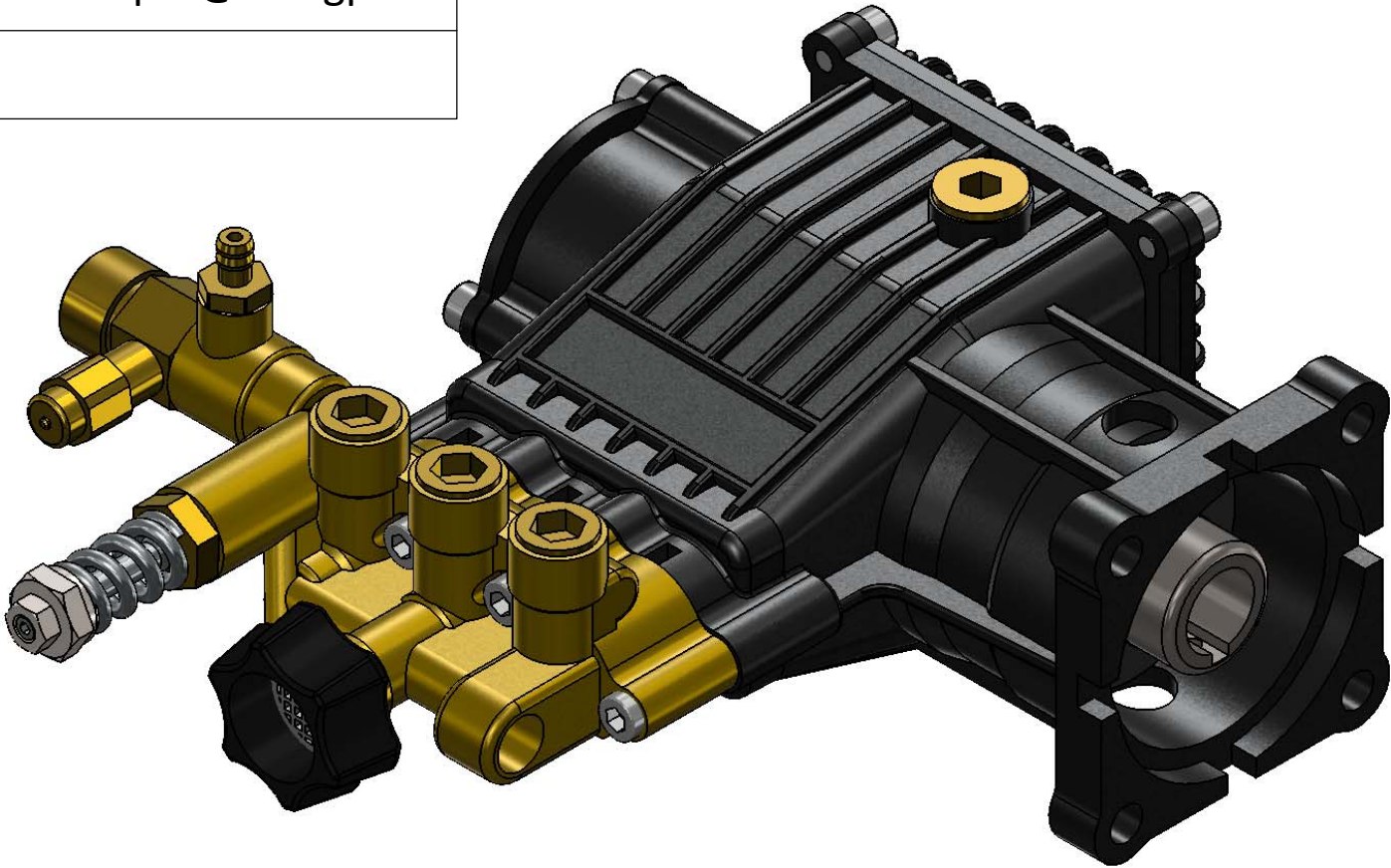
ITEM	PART NO	QTY.	DESCRIPTION
13	7103642	1	HOSE, 3/8" x 25' x 4500PSI PLAT 2PC SWV/SWV
14	7108125	1	GUN, 4500PSI 3/8QC(M) INLET X M22(F) OEM
15	7103550	1	LANCE, 16" W/ 1/4 QC AND M22(M)
* 16	7102045	1	TOOL, NOZZLE CLEANING, UNIVERSAL
17	7102207	1	KIT, SVC ASSY SOAP HOSE W/PLASTIC FILTER

* NOT SHOWN



PHOENIX CY SERIES TRIPLEX PUMPS

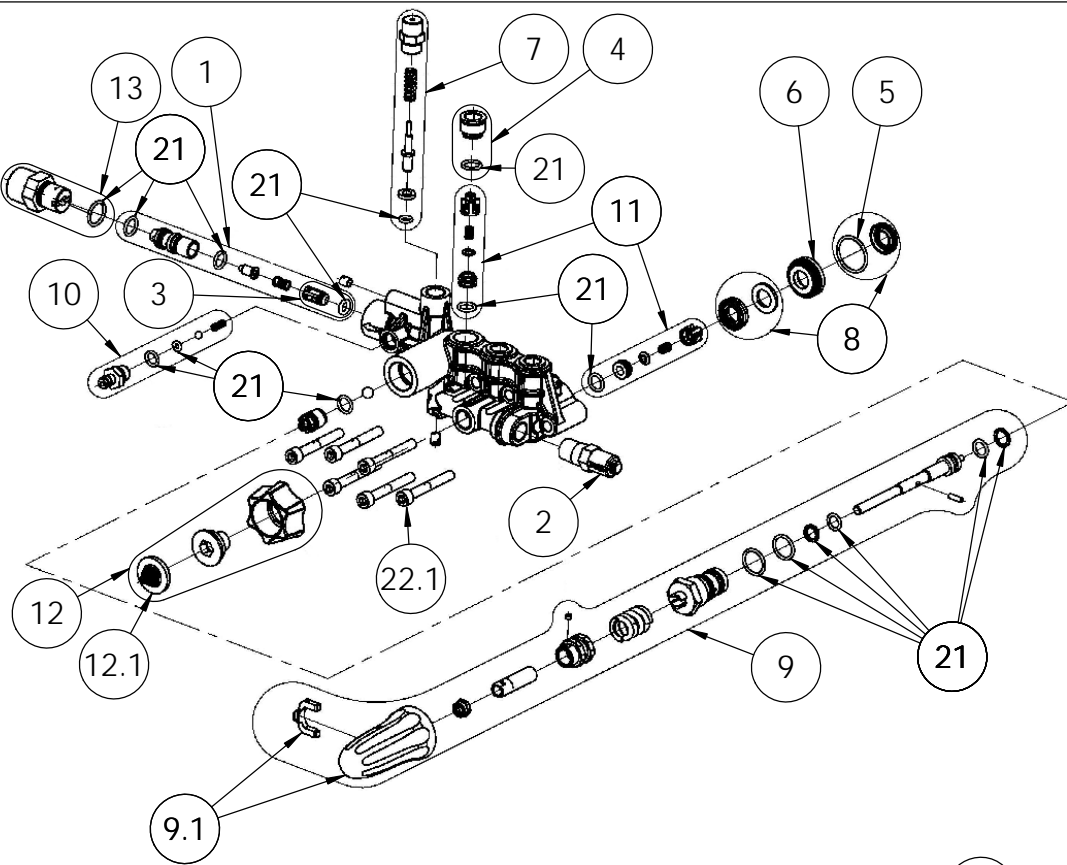
PUMP COVERED IN THIS IPL	
530017	3400psi @ 2.3 gpm



TITLE:		
PUMP, CY SERIES, HORIZ TRIPLEX, 12X8.2		
SIZE	DWG. NO.	REV.
A	530017	A
SCALE: N/A	SHEET 1 OF 3	

PUMP KIT, 530017
MANIFOLD PART NO. 7110118

530015 PUMP DRAWING PARTS LIST				
ITEM	PART NO.	DESCRIPTION	QTY	COMMENT
1	7110132	VENTURI KIT	1	
2	7110131	THERMAL RELIEF VALVE	1	TORQUE TO 155 IN-LB 18N-M
3	7105740	CHECK VALVE KIT	1	
4	7110129	VALVE CAP KIT	3	2 KITS REQ'D FOR THIS MODEL TORQUE TO 155 IN-LB 18N-M
5	7110125	SEAL RETAINER KIT	3	
6	7110123	SEAL SPACER KIT	3	
7	7110117	KIT, BOOST VALVE	1	TORQUE TO 155 IN-LB 18N-M
8	7105742	WATER SEAL KIT	3	
9	7108745	UNLOADER KIT	1	
9.1	7109325	UNLOADER CAP KIT	1	
10	7104228	SOAP INJECTOR KIT	1	TORQUE TO 155 IN-LB 18N-M
11	7104223	VALVE KIT	6	
12	7110329	WATER INLET KIT	1	TORQUE TO 155 IN-LB 18N-M
12.1	7110138	WATER INLET SCREEN	1	
13	7110265	SOAP INJECTOR BODY	1	TORQUE TO 155 IN-LB 18N-M

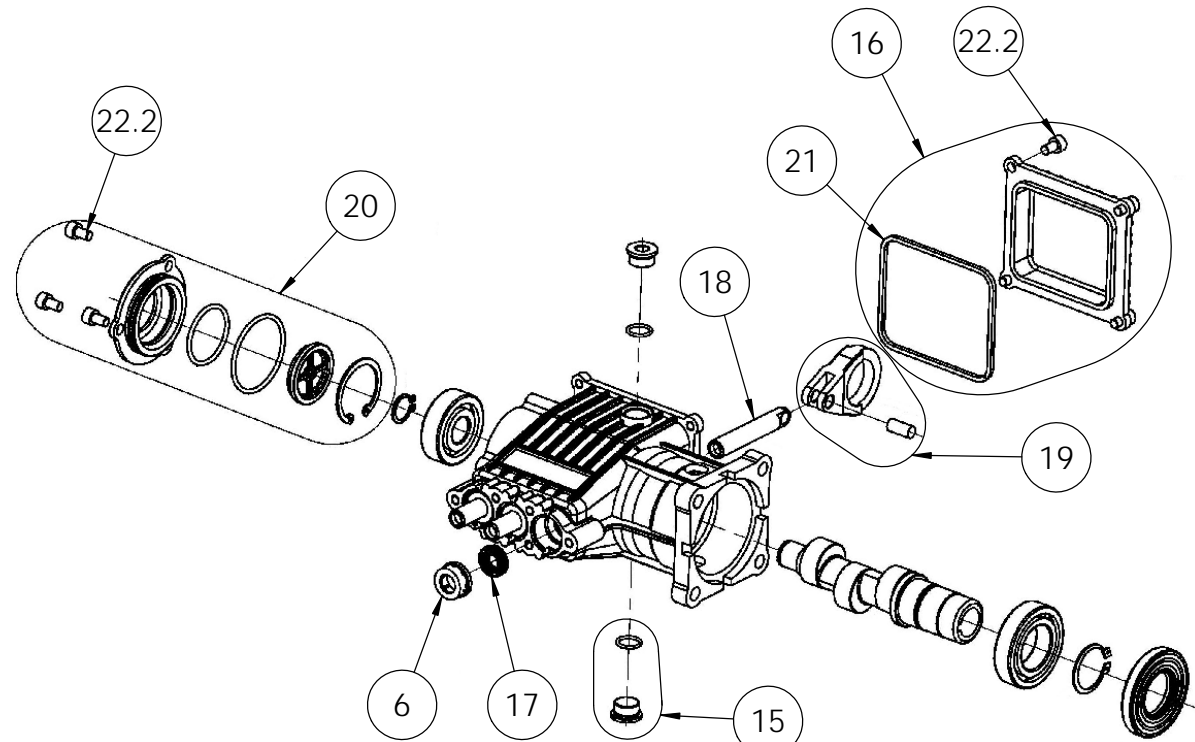


PUMP KIT, 530017 CRANKCASE
PART NO. 7110120

530015 PUMP DRAWING PARTS LIST				
ITEM	PART NO.	DESCRIPTION	QTY	COMMENT
* 14	7108868	OIL BREATHER KIT	1	
15	7110127	OIL PLUG KIT	1	TORQUE TO 155 IN-LB 18N-M
16	7110126	REAR CRANK COVER KIT	1	
17	7105741	OIL SEAL KIT	1	
18	7110115	PISTON KIT	1	WITH 7110114
19	7110114	CONNECTING ROD KIT	1	
20	7105921	SIGHT GLASS KIT	1	

MISC PARTS, 530017

ITEM	PART NO.	DESCRIPTION	QTY	COMMENT
21	7110121	ORING KIT, COMPLETE		
22	7110122	PUMP HARDWARE KIT		
22.1		SCREW, M6*45	6	TORQUE TO 100 IN-LB 11N-M
22.2		SCREW, M6*10	7	TORQUE TO 80 IN-LB 9N-M



* NOT SHOWN



POWERBLAST

Congratulations on your new POWERSHOT product. We are proud to have you as our customer and will strive to provide you with the best service and reliability in the industry. This product is backed by our extensive warranty and service network. To locate your nearest distributor or service agency visit www.powerblast.com.au, or email us at sales@powerblast.com.au